

# 7PG21 Solkor Rf

Feeder Protection

## Document Release History

This document is issue 02/2010. The list of revisions up to and including this issue is:  
Pre release

02/2010	Document reformat due to rebrand

## Software Revision History

--	--	--

The copyright and other intellectual property rights in this document, and in any model or article produced from it (and including any registered or unregistered design rights) are the property of Siemens Protection Devices Limited. No part of this document shall be reproduced or modified or stored in another form, in any data retrieval system, without the permission of Siemens Protection Devices Limited, nor shall any model or article be reproduced from this document unless Siemens Protection Devices Limited consent.

While the information and guidance given in this document is believed to be correct, no liability shall be accepted for any loss or damage caused by any error or omission, whether such error or omission is the result of negligence or any other cause. Any and all such liability is disclaimed.

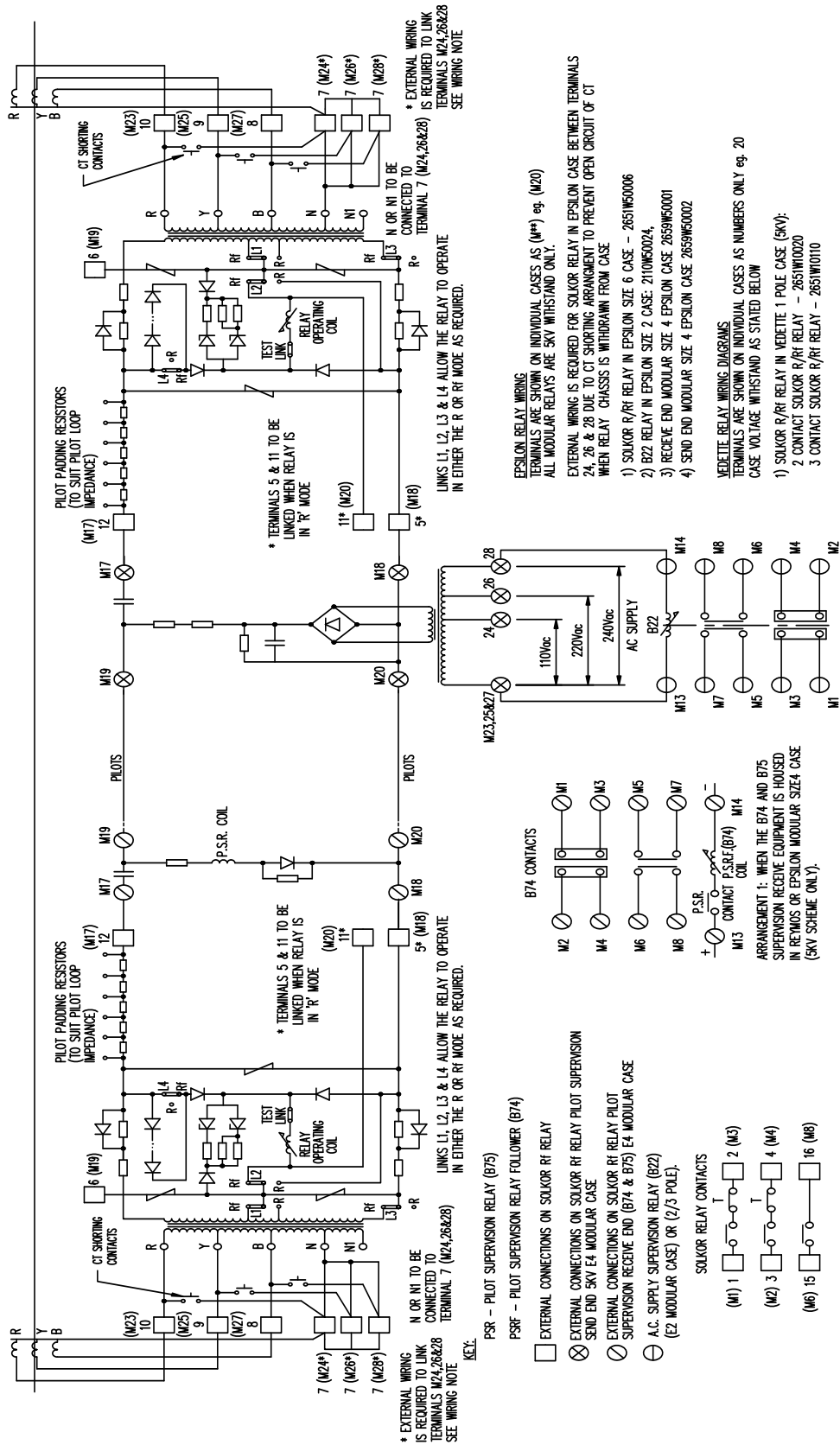


Figure 1. 5kV Solkor Rf with Pilot Supervision

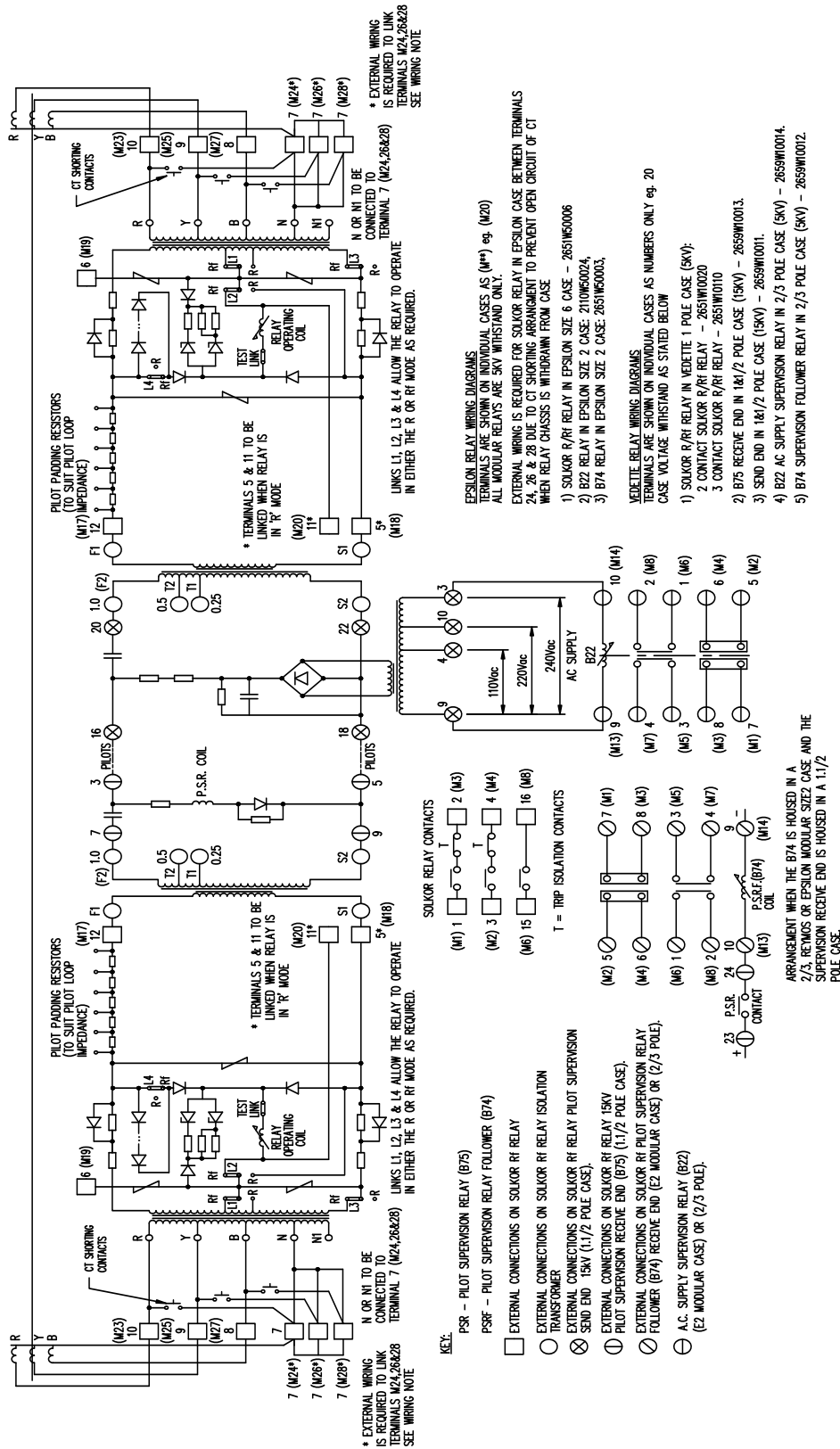


Figure 2. 15kV Solkor Rf with Pilot Supervision

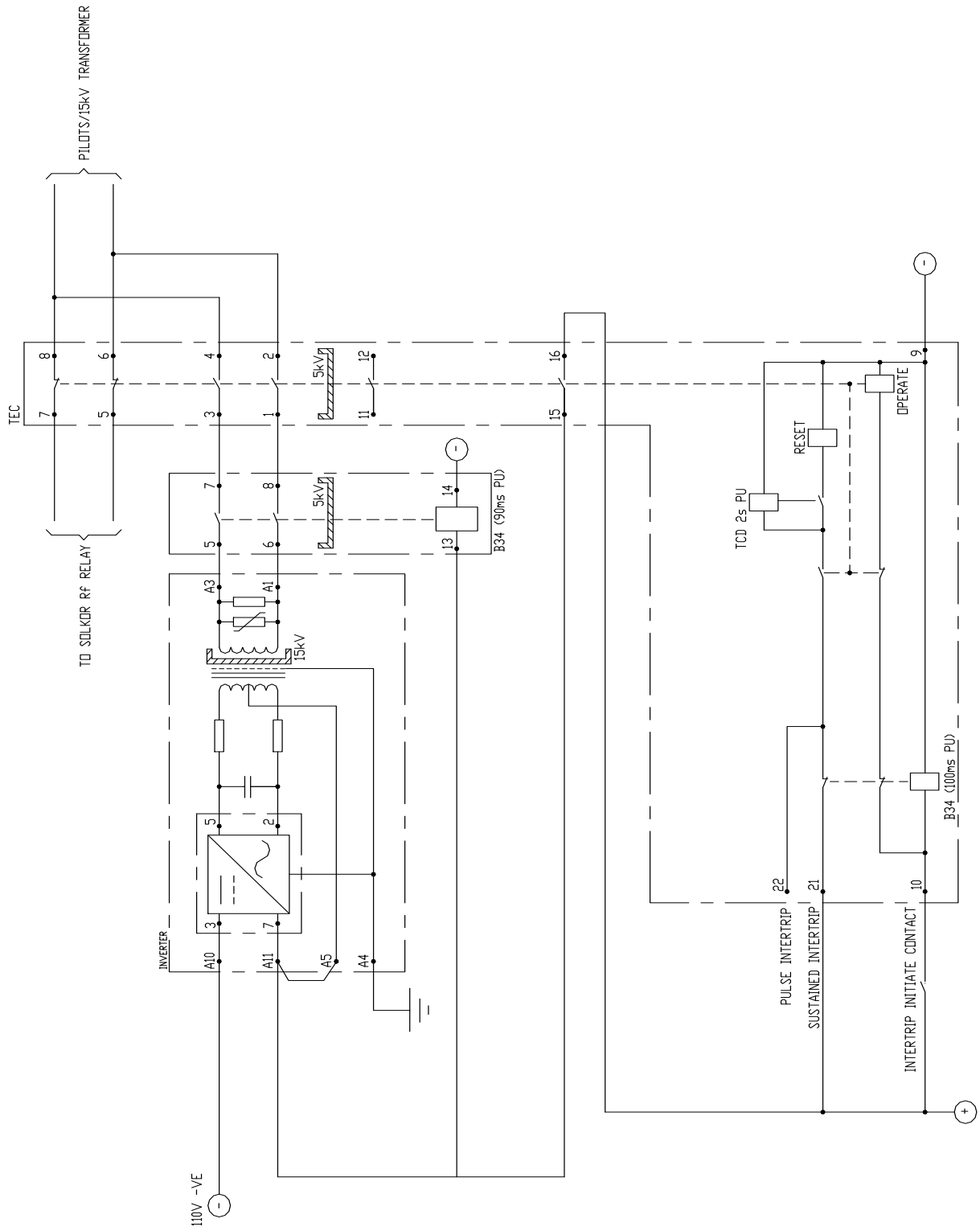


Figure 3. Solkor Rf mode Intertripping

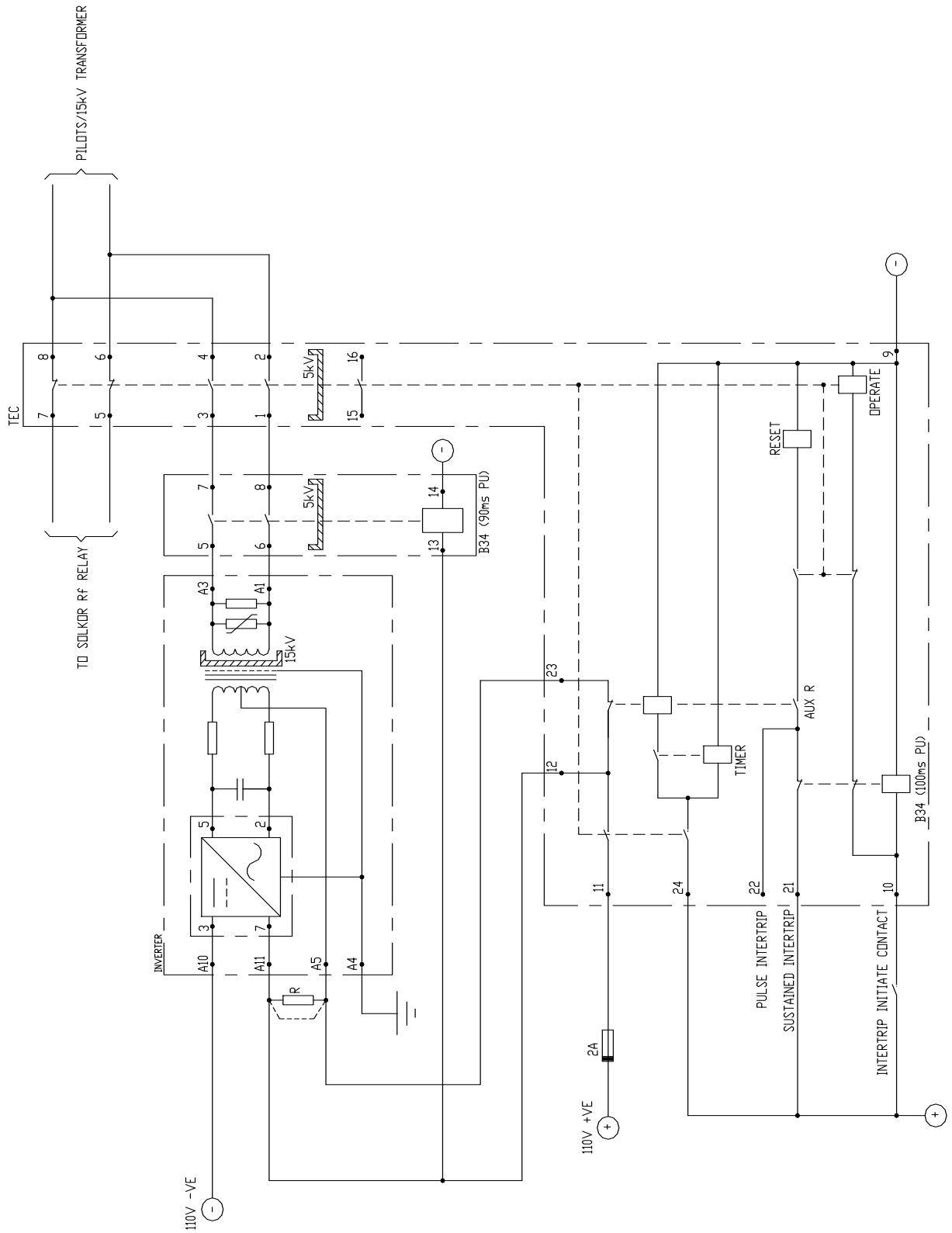


Figure 4. Solkor Rf mode 2 stage Intertripping

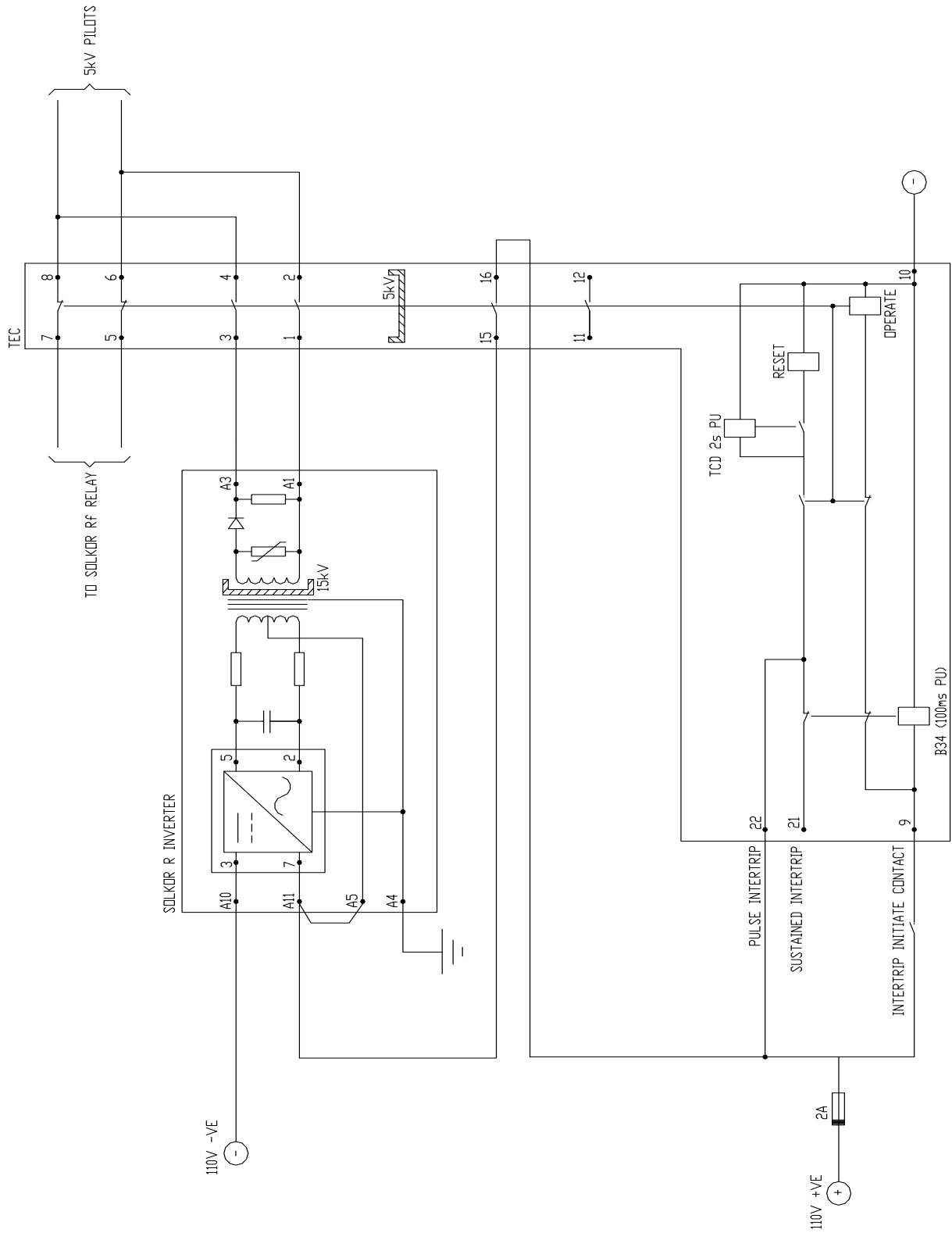


Figure 5. 5kV Solkor R mode Intertripping

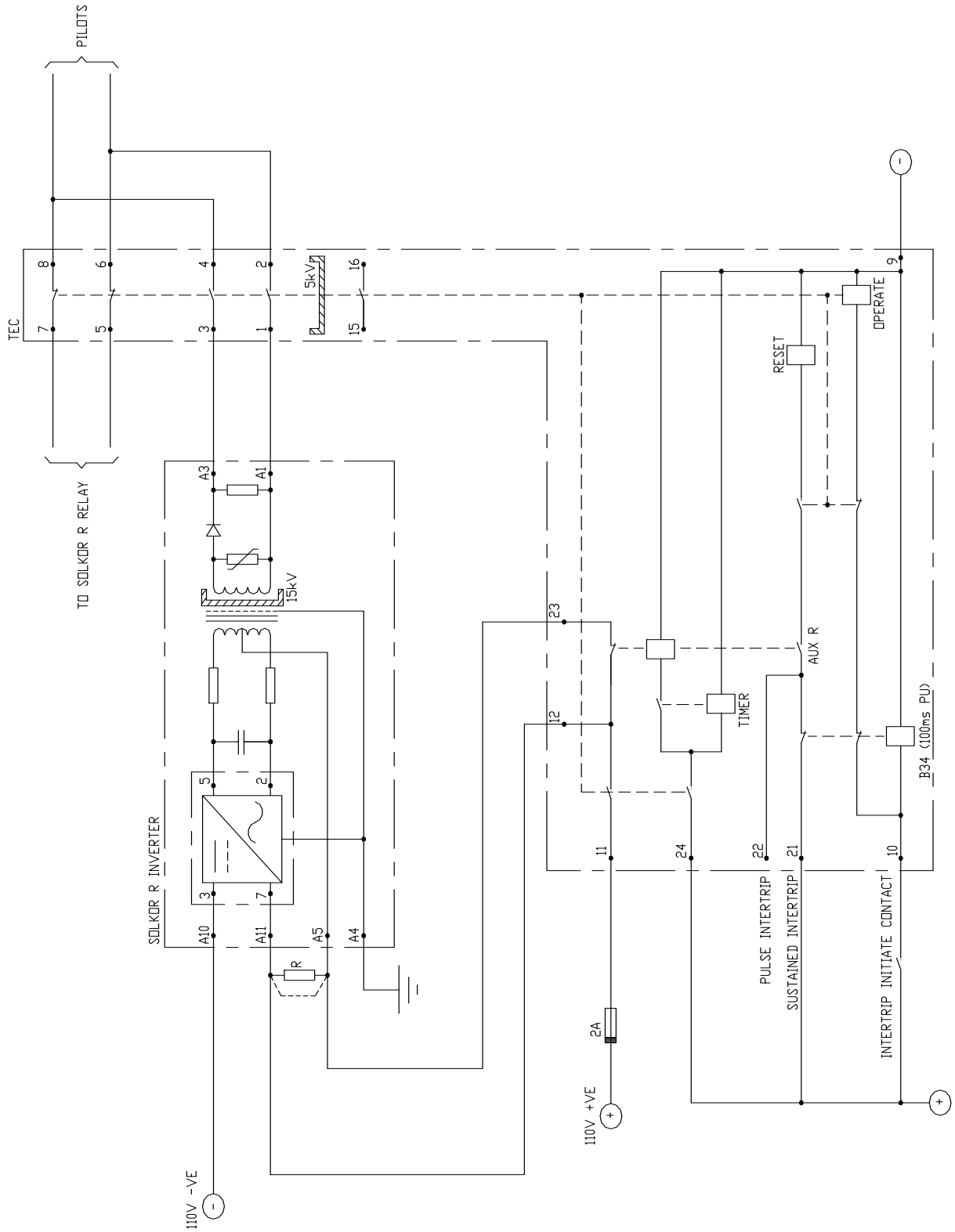


Figure 6. 5kV Solkor R mode 2 Stage Intertripping